



The power for your life

UR12V-18AH

Specifications

Nominal Capacity

20 hour rate	(0.9A	to	10.50V)	18Ah
10 hour rate	(1.71A	to	10.50V)	17.1Ah
5 hour rate	(3.06A	to	10.20V)	15.3Ah
1 C	(18A	to	9.60V)	10.2Ah
3 C	(54A	to	9.60V)	7.2Ah

Weight **Approx. 6.3KG**

Internal Resistance (at 1KHz) **Approx. 10 mΩ**

Maximum Discharge Current for 5 seconds: **270 A**

Maximum Charging Current : **5.4A**

Charging Methods at 25°C (77°F)

Cycle use:

Charging Voltage **14.4 to 15.0V**

Coefficient -5.0mV/°C/cell

Standby use:

Float Charging Voltage **13.5 to 13.8V**

Coefficient -3.0mV/°C/cell

Operating Temperature Range

Charge **-15°C(5°F) to 40°C(104°F)**

Discharge **-15°C(5°F) to 50°C(122°F)**

Storage **-15°C(5°F) to 40°C(104°F)**

Charge Retention (shel life) at 20°C (68°F)

1 month **92%**

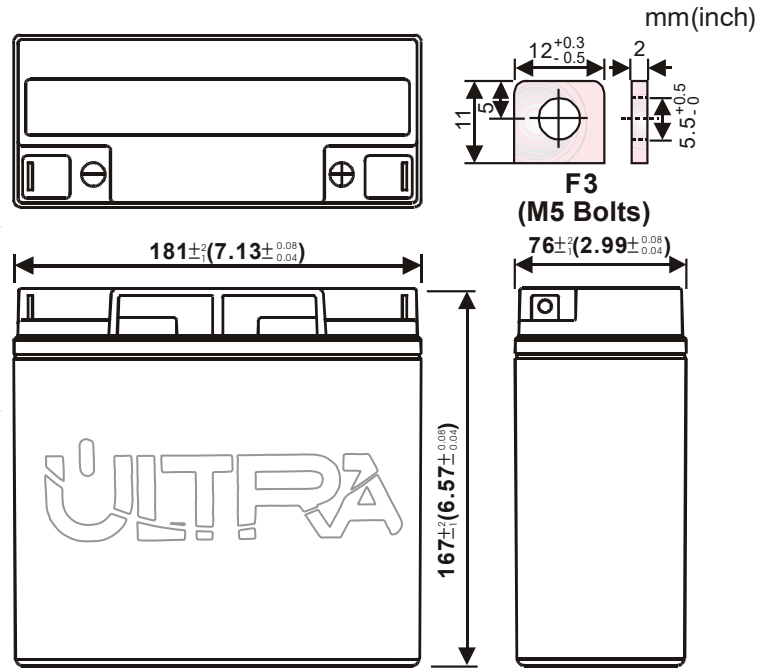
3 month **90%**

6 month **80%**

(Option: UL94 HB & UL94 V-0 flame retardant)

Terminal **F3**

Life Time **10Y**

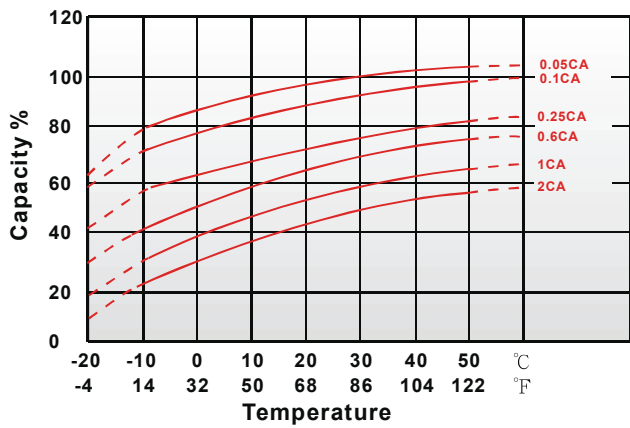


Dimensions

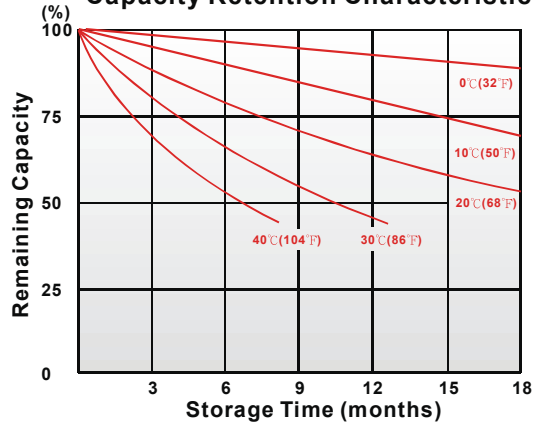
Length:	181 ± 0.08 mm (3.54±0.04inches)
Width:	76 ± 0.08 mm (2.76±0.04inches)
Height:	167 ± 0.08 mm (3.98±0.04inches)
Overall Height:	167 ± 0.08 mm (4.21 0.04inches)



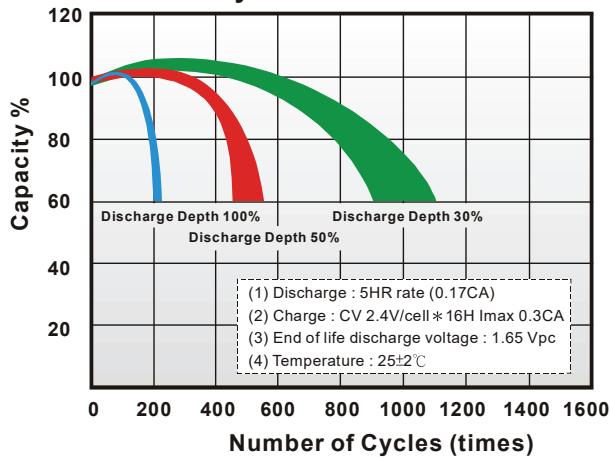
Effect of Temperature on Capacity 25°C(77°F)



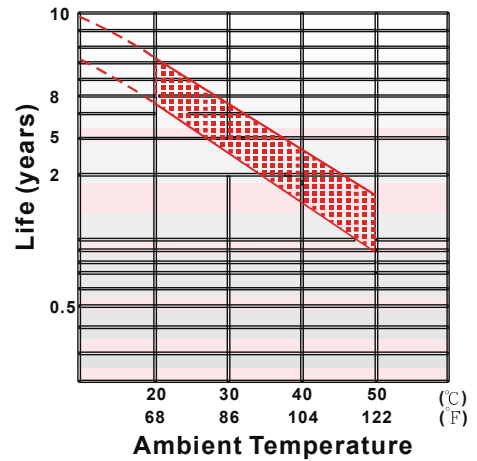
Capacity Retention Characteristic



Cycle Service Life



Trickle (or float) Service Life



PERFORMANCE DATA

Discharge Rates in Watts to Various End Voltages at 25°C (77°F)

End voltage	5 min	10 min	15 min	20 min	30 min	45 min	1 hour	2 hrs	3 hrs	5 hrs	10 hrs	20 hrs
9.60 V	602	413	317	261	198	150	123	72.4	53.5	35.9	20.0	11.0
9.90 V	585	406	313	258	196	148	122	71.8	53.1	35.5	19.8	10.9
10.02 V	576	401	310	257	195	148	121	71.3	52.9	35.4	19.7	10.8
10.20 V	562	395	307	255	194	147	121	70.7	52.7	35.2	19.6	10.8
10.50 V	540	385	301	251	192	146	120	69.9	51.9	34.7	19.4	10.7
10.80 V	516	375	296	247	190	144	118	69.0	51.4	34.2	19.0	10.7

Discharge Rates in Amperes to Various End Voltages at 25°C(77°F)

End voltage	5 min	10 min	15 min	20 min	30 min	45 min	1 hour	2 hrs	3 hrs	5 hrs	10 hrs	20 hrs
9.60 V	60.2	40.2	30.2	24.5	18.1	13.5	10.9	6.35	4.66	3.11	1.72	0.94
9.90 V	58.3	39.3	29.7	24.1	17.9	13.3	10.8	6.28	4.61	3.06	1.70	0.93
10.02 V	57.3	38.7	29.3	23.9	17.8	13.2	10.7	6.22	4.58	3.04	1.69	0.92
10.20 V	55.8	38.1	29.0	23.7	17.7	13.2	10.7	6.17	4.55	3.02	1.67	0.92
10.50 V	53.5	37.0	28.3	23.2	17.4	13.0	10.5	6.06	4.46	2.96	1.64	0.90
10.80 V	50.9	36.0	27.7	22.7	17.1	12.8	10.4	5.96	4.40	2.91	1.61	0.89

All data on the spec. sheet is an average value:

The tolerance range : X<6min(+15%~-15%), 6min≤X<10min(+12%~-12%), 10min≤X<60min(+8%~-8%), X≥60min(+5%~-5%)

